



Sink - Tara.

Single-hole lavatory mixer with drain - polished chrome

Article number: 22 513 892-00 0010



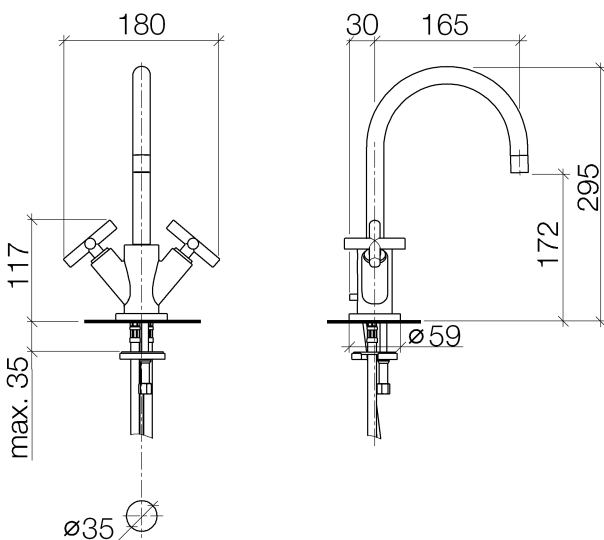
- 6-1/2" Projection
- US drain with overflow
- Swiveling spout 360°
- Round aerated stream
- Total height 11-5/8"
- Height to aerator/spout outlet 6-3/4"
- 1-3/8" hole diameter
- Flange diameter 2-3/8"
- 2x 3/8" US flexible supply lines
- Water flow rate limited to max. 1.2 gpm
- lead-free
- (ADA)



polished chrome



Dimensional drawing





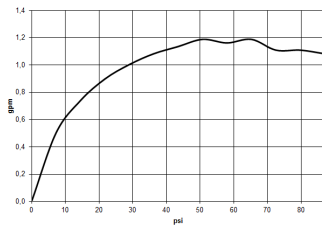
Sink - Tara.

Single-hole lavatory mixer with drain - polished chrome

Article number: 22 513 892-00 0010

All dimensions in mm / inch = mm x 0,0394

Flow rate chart





Sink - Tara.

Single-hole lavatory mixer with drain - polished chrome

Article number: 22 513 892-00 0010

Other surface finishes



platinum matte

22 513 892-06 0010



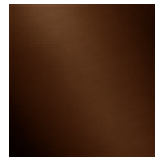
platinum

22 513 892-08 0010



Dark Brass matte

22 513 892-16 0010



Dark Bronze matte

22 513 892-17 0010



black matte

22 513 892-33 0010

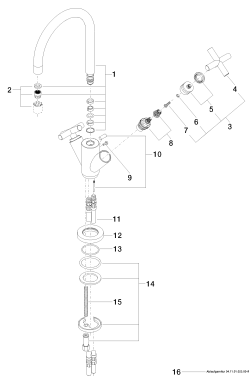


Dark Platinum matte

22 513 892-99 0010

More custom finish options are available via special production (xTra Service). Please see our finish matrix for availability and pricing or contact a Dornbracht representative.

Spare parts list



Number	Item Number	Designation	Number of units
--------	-------------	-------------	-----------------